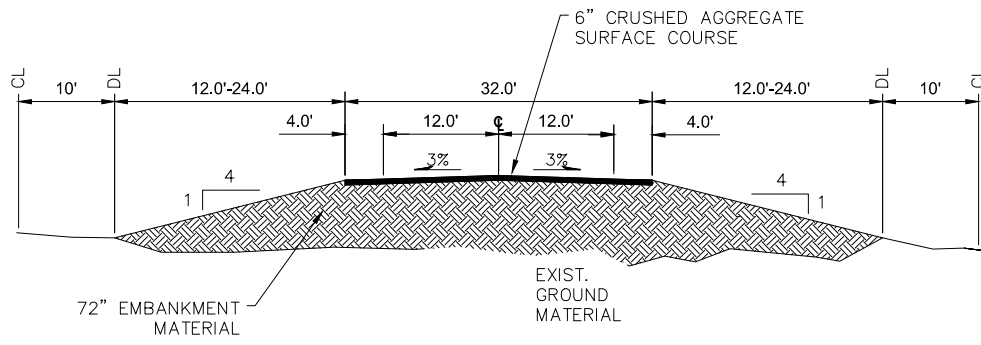
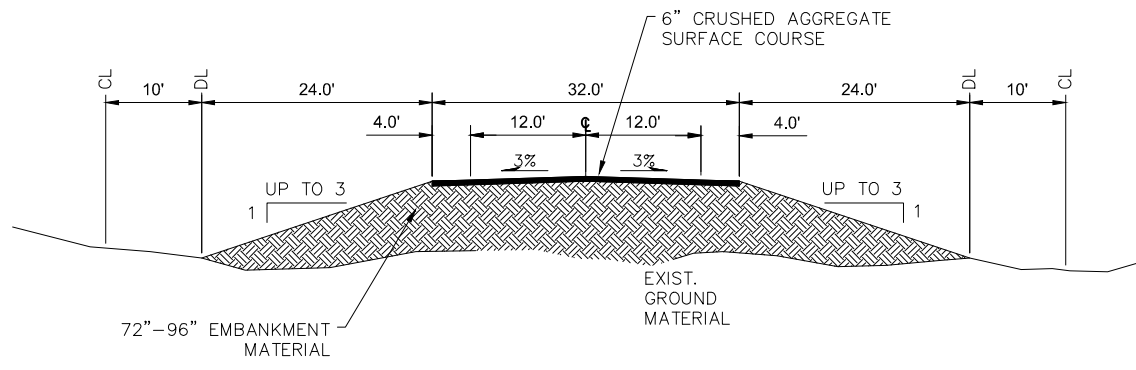


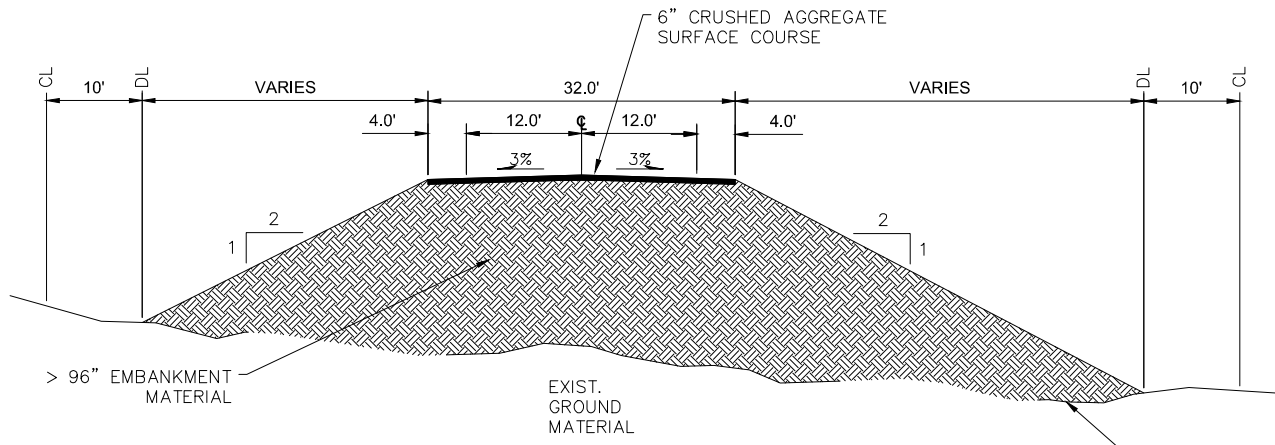
Q:\24\60693\GIS\ENV\Northern Bypass\DETAILS March16 CORP and Regular Title Block.dwg PLOT DATE 2016-06-28 07:42 SAVED DATE 2016-06-27 16:42 USER: charrington



FILL SECTION < 6' FILL DEPTH (NTS)
(TYPICALLY USED ON GOOD SOILS)



FILL SECTION 6' TO 8' FILL DEPTH (NTS)
(TYPICALLY USED ON MODERATE SOILS)



FILL SECTION > 8' FILL DEPTH (NTS)
(TYPICALLY USED ON POOR SOILS)

TYPICAL FILL SECTIONS FOR FULL BUILDOUT (PHASE III)	
Ambler Mining District Industrial Access Project	
April 15, 2016	Figure 2-7